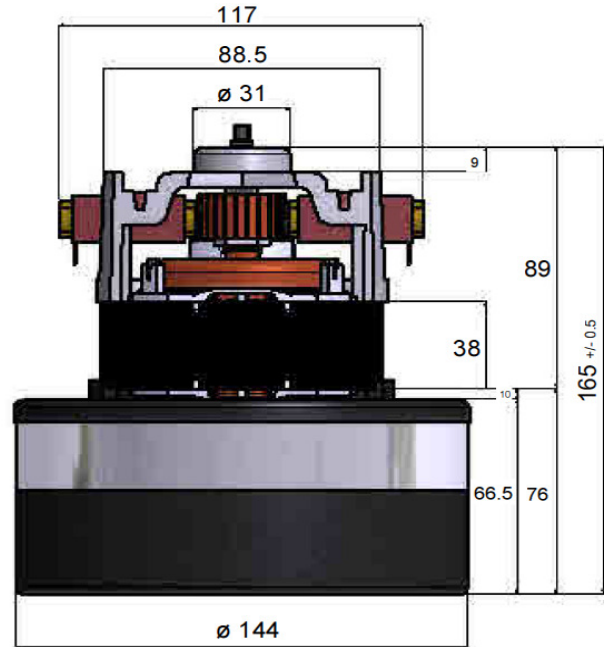


**EMB S.r.l**Via degli artigiani,8  
26014 - Romanengo (CR)

<b>TIPO/TYPE:</b>	<b>TB3812231</b>
<b>MOTORE N.°/MOTOR N.</b>	<b>14-109</b>
<b>Codice/code</b>	<b>712017</b>
<b>Serie:</b>	<b>Standard</b>

**DESCRIZIONE/DESCRIPTION:**

- Doppio stadio/Two stage
- 230V. 50/60Hz.
- Classe di isolamento I /Insulating class I
- Classe di temperatura F /Temperature class F
- 2 cuscinetti/Double ball bearings
- 1 velocità/ Single speed
- Gruppo aspirante a secco/ Thru-Flow Vacuum Motors
- Basamento termoplastico/Thermoplastic base fan motor
- Ponticello Alluminio/Aluminium bridge commutator side



<b>Test Date:</b>	20/11/2014
<b>Hours:</b>	14:20
<b>Room Temp:</b>	21,4°C
<b>RH:</b>	38.1%
<b>Absolute Bar Press.:</b>	1026

**CARATTERISTICA DI ASPIRAZIONE CON MOTORE APPLICATO SU CASSA DI MISURA**  
**TYPICAL MOTOR PERFORMANCE ON MEASURING BOX**

Orifice mm	Current A	Input pow. W	Speed RPM	Vacuum/Depressure		Air Flow L/sec	Air Watts W	Efficiency %	Sound Level dB Max	Test Voltage : 230	
				mm H <sub>2</sub> O	mbars					Frequency : 50Hz.	
48	6.18	1380	20,310	114	11.20	47	53	3.8	86.4		
40	6.13	1360	20,250	244	23.9	48	114	8.4	86.0	Nominal Power W.	1259
30	6.12	1360	20,260	657	64.4	45	288	21.1	83.8	Middle Power W.	1070
23	5.93	1350	20,580	1243	121.9	35	432	32.0	80.6	Max. Power W.	1624
19	5.53	1230	20,900	1615	158.3	28	437	35.5	78.8	Vacuum mmH <sub>2</sub> O	2576
16	5.22	1170	21,420	1835	179.9	21	378	32.3	78.8	Air Flow L/s.	48
13	4.80	1070	22,300	2054	201.4	14	291	27.2	80.2	Air Power W.	437
10	4.44	984	23,220	2249	220.5	9	205	20.8	81.6	Efficiency %	35.5
6.5	4.04	892	24,210	2436	238.8	4	86	9.7	84.0		
0	3.38	780	25,120	2576	252.5	0	0	0.0	84.8		

