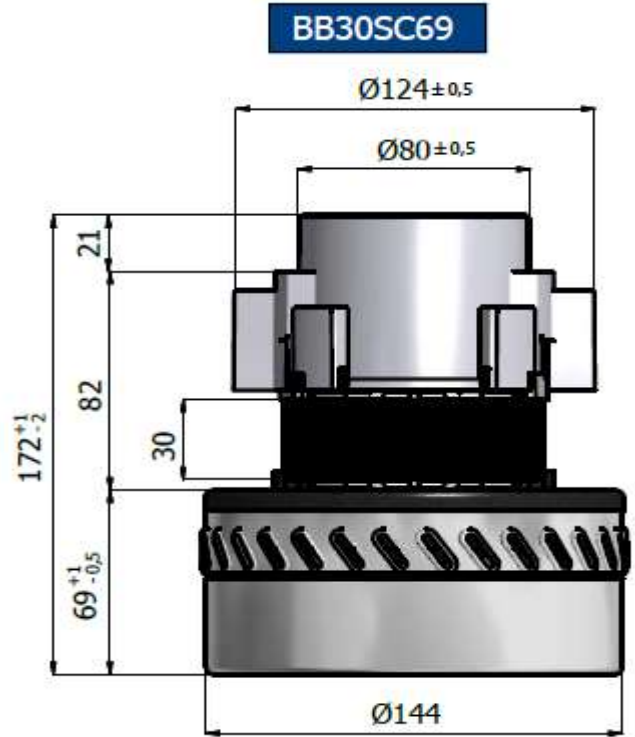


| | |
|-------------------------------|----------|
| TIPO/TYPE: BB301142302 | |
| MOTORE N.°/MOTOR N.° | 22-17 |
| Codice/code | 711022 |
| Serie: | Standard |

DESCRIZIONE/DESCRIPTION:

- Doppio stadio/Two stage
- 230 V. 50/60 Hz.
- Classe di isolamento II /Insulating class II
- Classe di temperatura F /Temperature class F
- 2 cuscinetti/Double ball bearings
- 1 velocità/ Single speed
- By Pass scarico periferico/Peripheral bypass discharge
- Basamento termoplastico/Thermoplastic base fan motor
- Ponticello termoplastico/Thermop. bridge commutator side

| | |
|-----------------------------|------------|
| Test Date: | 13/02/2017 |
| Hours: | 16:35 |
| Room Temp: | 21,8°C |
| RH: | 28,3% |
| Absolute Bar Press.: | 1029 |



CARATTERISTICA DI ASPIRAZIONE CON MOTORE APPLICATO SU CASSA DI MISURA
TYPICAL MOTOR PERFORMANCE ON MEASURING BOX

| Orifice mm | Current A | Input pow. W | Speed RPM | Vacuum/Depressure | | Air Flow L/sec | Air Watts W | Efficiency % | Sound Level dB Max | Test Voltage : 230 | |
|---------------|--------------|-----------------|--------------|---------------------|-------|-------------------|----------------|-----------------|-----------------------|---------------------------|------|
| | | | | mm H ₂ O | mbars | | | | | Frequency : 50Hz. | |
| 48 | 5,22 | 1140 | 18920 | 96 | 9,4 | 43 | 41 | 3,6 | 85,7 | | |
| 40 | 5,26 | 1150 | 18850 | 208 | 20,4 | 44 | 90 | 7,9 | 85,2 | Nominal Power W. | 1116 |
| 30 | 5,29 | 1150 | 18780 | 555 | 54,4 | 41 | 223 | 19,4 | 83,6 | Middle Power W. | 949 |
| 23 | 5,18 | 1130 | 18910 | 1002 | 98,2 | 32 | 313 | 27,7 | 84,0 | Max. Power W. | 1353 |
| 19 | 5,03 | 1100 | 19440 | 1298 | 127,3 | 25 | 315 | 28,6 | 85,2 | Vacuum mmH ₂ O | 2363 |
| 16 | 4,78 | 1050 | 20070 | 1542 | 151,2 | 19 | 291 | 27,7 | 86,0 | Air Flow L/s. | 44 |
| 13 | 4,50 | 988 | 20920 | 1764 | 172,9 | 13 | 232 | 23,5 | 87,2 | Air Power W. | 315 |
| 10 | 4,18 | 924 | 21930 | 1971 | 193,2 | 9 | 168 | 18,2 | 88,0 | Efficiency % | 28,6 |
| 6,5 | 3,74 | 828 | 22890 | 2173 | 213,0 | 3 | 73 | 8,8 | 88,1 | | |
| 0 | 3,42 | 748 | 24180 | 2363 | 231,7 | 0 | 0 | 0,0 | 87,3 | | |

