



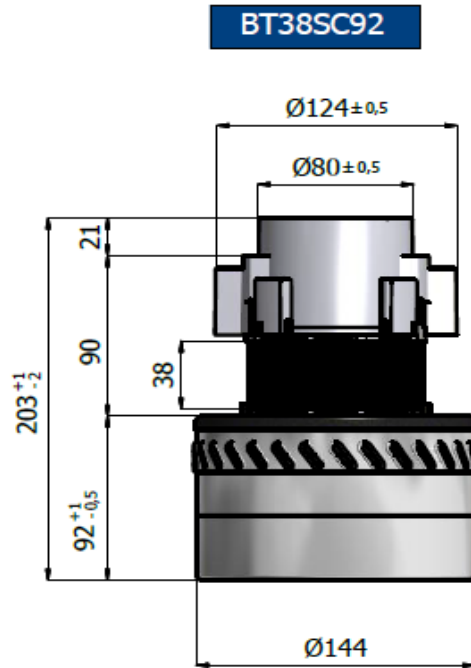
EMB S.r.l
Via degli artigiani,8
26014 - Romanengo (CR)

CODICE/CODE	711155
TIPO/TYPE:	BT3805724DC
MOTORE N.°/MOTOR N.°	14-100
Serie:	Standard

DESCRIZIONE/DESCRIPTION:

- Triplo stadio/Three stage
- **24V. DC**
- Classe di isolamento I /Insulating class I
- Classe di temperatura F /Temperature class F
- 2 cuscinetti/Double ball bearings
- 1 velocità/ Single speed
- By Pass scarico periferico/Peripheral G14bypass discharge
- Basamento termoplastico/Thermoplastic base fan motor
- Ponticello Alluminio/Aluminium bridge commutator side

Test Date:	11/11/2014
Hours:	09:45
Room Temp:	20,6 °C
RH:	59,8%
Absolute Bar Press.:	1015mbar



CARATTERISTICA DI ASPIRAZIONE CON MOTORE APPLICATO SU CASSA DI MISURA
TYPICAL MOTOR PERFORMANCE ON MEASURING BOX

Orifice mm	Current A	Input pow. W	Speed RPM	Vacuum/Depressure		Air Flow L/sec	Air Watts W	Efficiency %	Sound Level Min dB Max	Test Voltage :	24
				mm H ₂ O	mbars					Frequency :	
48	24,10	578	13.480	49	4,80	31	15	2,6	77,6		
40	24,00	576	13.470	104	10,2	31	32	5,5	78,0	Nominal Power W.	597
30	24,30	583	13.370	296	29,0	30	87	14,9	78,2	Middle Power W.	508
23	24,10	578	13.200	600	58,8	25	145	25,0	77,0	Max. Power W.	686
19	24,30	583	13.480	842	82,5	20	164	28,2	76,9	Vacuum mmH ₂ O	1818
16	23,50	564	13.750	1025	100,5	16	158	28,0	78,2	Air Flow L/s.	31
13	22,10	530	14.180	1216	119,2	11	133	25,0	79,0	Air Power W.	164
10	20,90	502	14.780	1359	133,2	7	96	19,2	80,0	Efficiency %	28,2
6,5	19,70	473	15.690	1556	152,5	3	44	9,3	82,3		
0	18,00	432	16.640	1818	178,2	0	0	0,0	82,0		

