

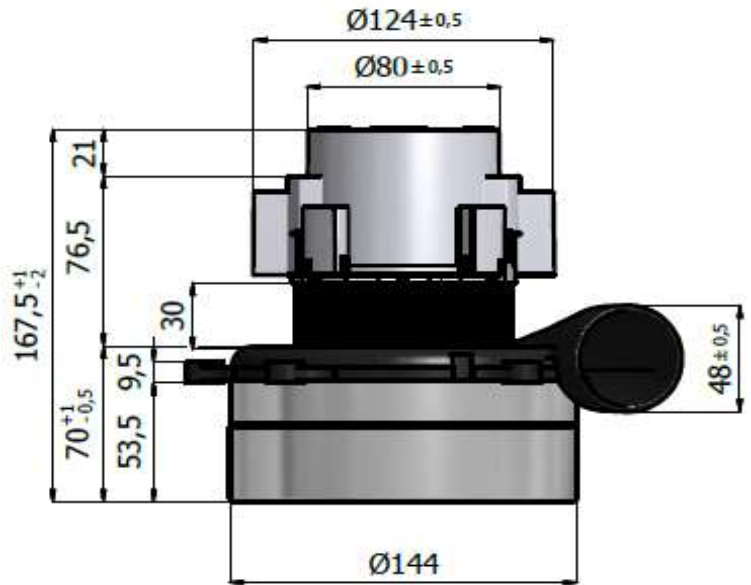
| | |
|----------------------|---------------------|
| CODICE/CODE | 711282 |
| TIPO/TYPE: | BBT3003524DC |
| MOTORE N.°/MOTOR N.° | 14-97 |
| Serie: | Standard |

DESCRIZIONE/DESCRIPTION:

- Doppio stadio/Two stage
- **24V. DC**
- Classe di isolamento I /Insulating class I
- Classe di temperatura F /Temperature class F
- 2 cuscinetti/Double ball bearings
- 1 velocità/ Single speed
- By Pass scarico tangenziale/Tangential bypass discharge
- Basamento termoplastico/Thermoplastic base fan motor
- Ponticello Alluminio/Aluminium bridge commutator side

| | |
|----------------------|-----------|
| Test Date: | 5-nov-14 |
| Hours: | 16:15 |
| Room Temp: | 20°C. |
| RH: | 64% |
| Absolute Bar Press.: | 1010 mbar |

BBT30SC70



CARATTERISTICA DI ASPIRAZIONE CON MOTORE APPLICATO SU CASSA DI MISURA
TYPICAL MOTOR PERFORMANCE ON MEASURING BOX

| Orifice mm | Current A | Input pow. W | Speed RPM | Vacuum/Depressure | | Air Flow L/sec | Air Watts W | Efficiency % | Sound Level dB-max | Test Voltage : 24 | |
|------------|-----------|--------------|-----------|-------------------|-------|----------------|-------------|--------------|--------------------|-------------------|------|
| | | | | mm H2O | mbars | | | | | Frequency : | |
| 48 | 14,80 | 355 | 12.490 | 37 | 3,60 | 27 | 10 | 2,7 | 74,30 | | |
| 40 | 14,80 | 355 | 12.460 | 79 | 7,7 | 27 | 21 | 5,9 | 74,6 | Nominal Power W. | 374 |
| 30 | 15,00 | 360 | 12.370 | 210 | 20,6 | 25 | 52 | 14,4 | 73,3 | Middle Power W. | 318 |
| 23 | 15,00 | 360 | 12.350 | 406 | 39,8 | 20 | 81 | 22,4 | 73,0 | Max. Power W. | 424 |
| 19 | 14,70 | 353 | 12.550 | 532 | 52,2 | 16 | 83 | 23,4 | 73,9 | Vacuum mmH2O | 1054 |
| 16 | 14,20 | 341 | 12.850 | 631 | 61,9 | 12 | 76 | 22,4 | 73,9 | Air Flow L/s. | 27 |
| 13 | 13,60 | 326 | 13.350 | 732 | 71,8 | 9 | 62 | 19,0 | 74,8 | Air Power W. | 83 |
| 10 | 13,00 | 312 | 13.740 | 821 | 80,5 | 6 | 45 | 14,5 | 71,8 | Efficiency % | 23,4 |
| 6,5 | 12,40 | 298 | 14.470 | 924 | 90,6 | 2 | 20 | 6,8 | 72,8 | | |
| 0 | 11,70 | 281 | 15.350 | 1054 | 103,3 | 0 | 0 | 0,0 | 73,4 | | |

